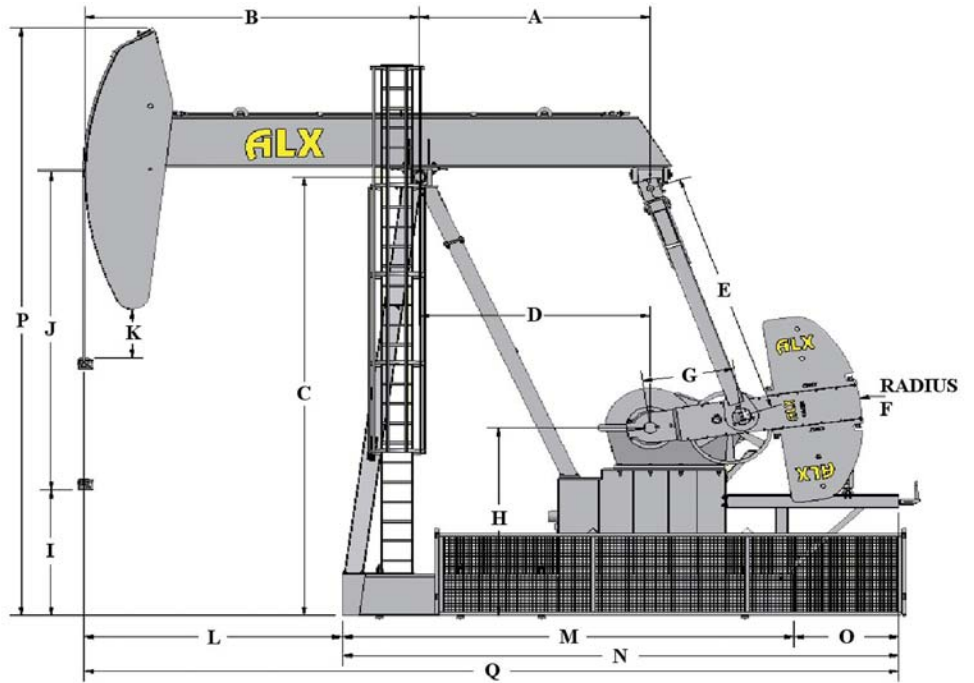




# Pumping Unit 456-305-144



## GENERAL DIMENSIONS

A	B	C	D	E	F	G	H	I	J	K	L	M	N	O	P	Q	Back Width	Front Width	Overall Width
120.00	173.50	262.00	120.00	144.00	110.00	48.00	112.00	75.00	144.00	29.50	134.00	235.00	289.00	54.00	351.00	423.25	33.50	72.00	97.25

## EFFECTIVE COUNTERBALANCE DATA

Weight	Combination	Counter Balance Effect
	Crank Only	6379
2	#15	10373
2	#16	11859
4	#15	14367
2	#17	15021
2	#15 + #16	15853
4	#16	17339
2	#15 + #17	19015
2	#18	18900
2	#16 + #17	20501
2	#15 + #18	22894
4	#17	23662
2	#16 + #18	24380
2	#17 + #18	27542
4	#18	31421

## GENERAL ENGINEERING DATA

Peak Torque Rating, API	456,000 in-lbs
Polish Rod Capacity	30,500 lbs
Stroke Lengths	144", 123", 103"
Walking Beam Size	30" @ 173 lbs
Reducer Model	C456
Reducer Ratio	31.5
Input Shaft Size	3.500
Max. Sheave Diameter	44"-6C
Belts for Std High Mount	C210
Oil Capacity	285L
Structural Unbalance	-379 lbs
Gear Box Weight	13250 lbs
Total Weight	*43346 lbs

\*Not including counter weight

Counter Weights	Weight	Crank Arm	Weight
#15	1494 lbs	R37	2040 lbs
#16	2100 lbs		
#17	3500 lbs		
#18	5300 lbs		

**STANDARD EQUIPMENT**

- High Mount Assembly
- Bendix Style Brake
- Mesh Crank Arm Guards
- Bridle Assembly
- Dual Rail Tie Down Bars
- Adjustable Motor Rails

- 2 Ladders With Safety Cages
- Cable Fall Restraint
- Wrist Pin Wrench
- Gear Box Oil Fill
- T Bolts
- Painted Black & Safety Yellow

**OPTIONAL EQUIPMENT**

- Counter Balance Weights
- Electric Motors
- Triple Rated Electric Motors
- Low Oil Level Switch
- Full Belt Guard With Mesh
- Fiberglass Full Belt Guard
- Concrete Bases
- Colour Options
- Low Mount Brake Cables

- Low Mount Engine Rails
- Drive Sheave & Bolts
- Vibration Switches
- Central Lubrication
- Full Belt Guard Enclosed
- Partial Belt Guard
- Pressure Treated Stripping
- Low Mount Brake Mount
- Speciality Lube Oils

**CONSTRUCTION FEATURES**

- Manufactured To API 11E Specifications
- ISO/Q1 Approved Fabrication Plant
- CWB Welded To W48
- Mono Gear Box Mounting Plate
- Three Leg Sampson Post - Removable Third Leg
- Saddle Bearing - Double 6" x 11" Railroad Style

- Split Case Gear Boxes
- Replaceable Wrist Pin Sleeves
- Hangar Style Rear Equalizer
- Pitman Arm Utilize Brass Bearings For Quiet Operation
- Common Off The Shelf Bearings and Seals



**WATERFLOOD ALX PUMPING UNITS**

Please Call for Quote:

ALX Canada Sales 1-306-634-7212  
 ALX USA Sales 1-501-860-3277  
 ALX Plant - 1-306-634-7212 or Fax - 1-306-634-7887

Address:

ALX  
 Box 1490  
 Estevan, Sk  
 S4A 2L7

ALX  
 130 Perkins St.  
 Estevan, Sk  
 S4A 0C3



**GET PUMPED UP AT WWW.WATERFLOOD.COM**