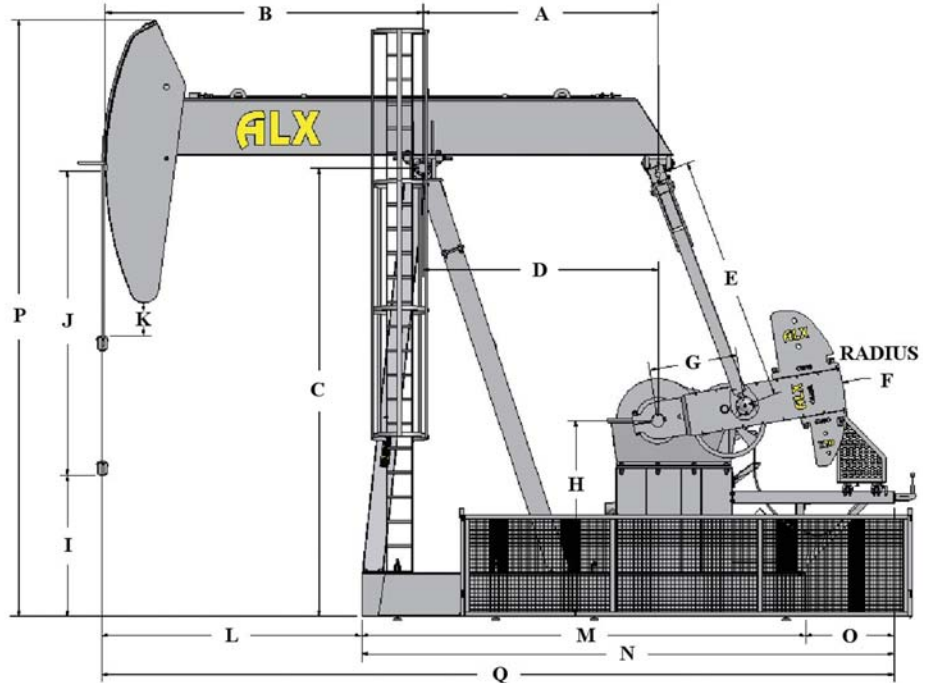




# Pumping Unit 228-246-86



## GENERAL DIMENSIONS

A	B	C	D	E	F	G	H	I	J	K	L	M	N	O	P	Q	Back Width	Front Width	Overall Width
98.50	111.00	191.50	98.50	110.50	76.00	37.00	78.00	74.25	86.00	17.50	84.25	198.00	240.75	43.00	247.50	325.00	27.50	72.00	83.00

## EFFECTIVE COUNTERBALANCE DATA

Weight	Combination	Counter Balance Effect
	Crank Only	3555
2	#13	5841
2	#15	7723
4	#13	8127
2	#16	9191
2	#13 + #15	10009
2	#13 + #16	11476
4	#15	11891
2	#17	12129
2	#15 + #16	13359
2	#13 + #17	14415
4	#16	14826
2	#15 + #17	16297
2	#16 + #17	17764
4	#17	20702

## GENERAL ENGINEERING DATA

Peak Torque Rating, API	228,000 in-lbs
Polish Rod Capacity	24,600 lbs
Stroke Lengths	86", 74", 62"
Walking Beam Size	24" @ 117 lbs
Reducer Model	C228
Reducer Ratio	31.62
Input Shaft Size	3.000
Max. Sheave Diameter	36"-4C
Belts for Std High Mount	C195
Oil Capacity	205L
Structural Unbalance	296 lbs
Gear Box Weight	7527 lbs
Total Weight	*23585 lbs

\*Not including counter weight

Counter Weights	Weight	Crank Arm	Weight
#13	738 lbs	R37	2040 lbs
#15	1494 lbs		
#16	2100 lbs		
#17	3500 lbs		

**STANDARD EQUIPMENT**

- High Mount Assembly
- Bendix Style Brake
- Mesh Crank Arm Guards
- Bridle Assembly
- Single Rail Tie Down Bars
- Adjustable Motor Rails

- 2 Ladders With Safety Cages
- Cable Fall Restraint
- Wrist Pin Wrench
- Gear Oil Fill
- T Bolts
- Painted Black & Safety Yellow

**OPTIONAL EQUIPMENT**

- Counter Balance Weights
- Electric Motors
- Triple Rated Electric Motors
- Low Oil Level Switch
- Full Guard With Mesh
- Fiberglass Full Guard
- Concrete Bases
- Colour Options
- Low Mount Brake Cables

- Low Mount Engine Rails
- Drive Sheave & Bolts
- Vibration Switches
- Central Lubrication
- Full Guard Enclosed
- Partial Belt Guard
- Pressure Treated Stripping
- Low Mount Brake Mount
- Speciality Lube Oils

**CONSTRUCTION FEATURES**

- Manufactured To API 11E Specifications
- ISO/Q1 Approved Fabrication Plant
- CWB Welded To W48
- Mono Gear Box Mounting Plate
- Three Leg Sampson Post - Removable Third Leg
- Saddle Bearing - Double 6" x 11" Railroad Style

- Split Case Gear Boxes
- Replaceable Wrist Pin Sleeves
- Hangar Style Rear Equalizer
- Pitman Arm Utilize Brass Bearings For Quiet Operation
- Common Off The Shelf Bearings and Seals



**WATERFLOOD ALX PUMPING UNITS**

Please Call for Quote:

ALX Canada Sales 1-306-634-7212  
 ALX USA Sales 1-501-860-3277  
 ALX Plant - 1-306-634-7212 or Fax - 1-306-634-7887

Address:

ALX  
 Box 1490  
 Estevan, Sk  
 S4A 2L7



ALX  
 130 Perkins St.  
 Estevan, Sk  
 S4A 0C3



**GET PUMPED UP AT WWW.WATERFLOOD.COM**